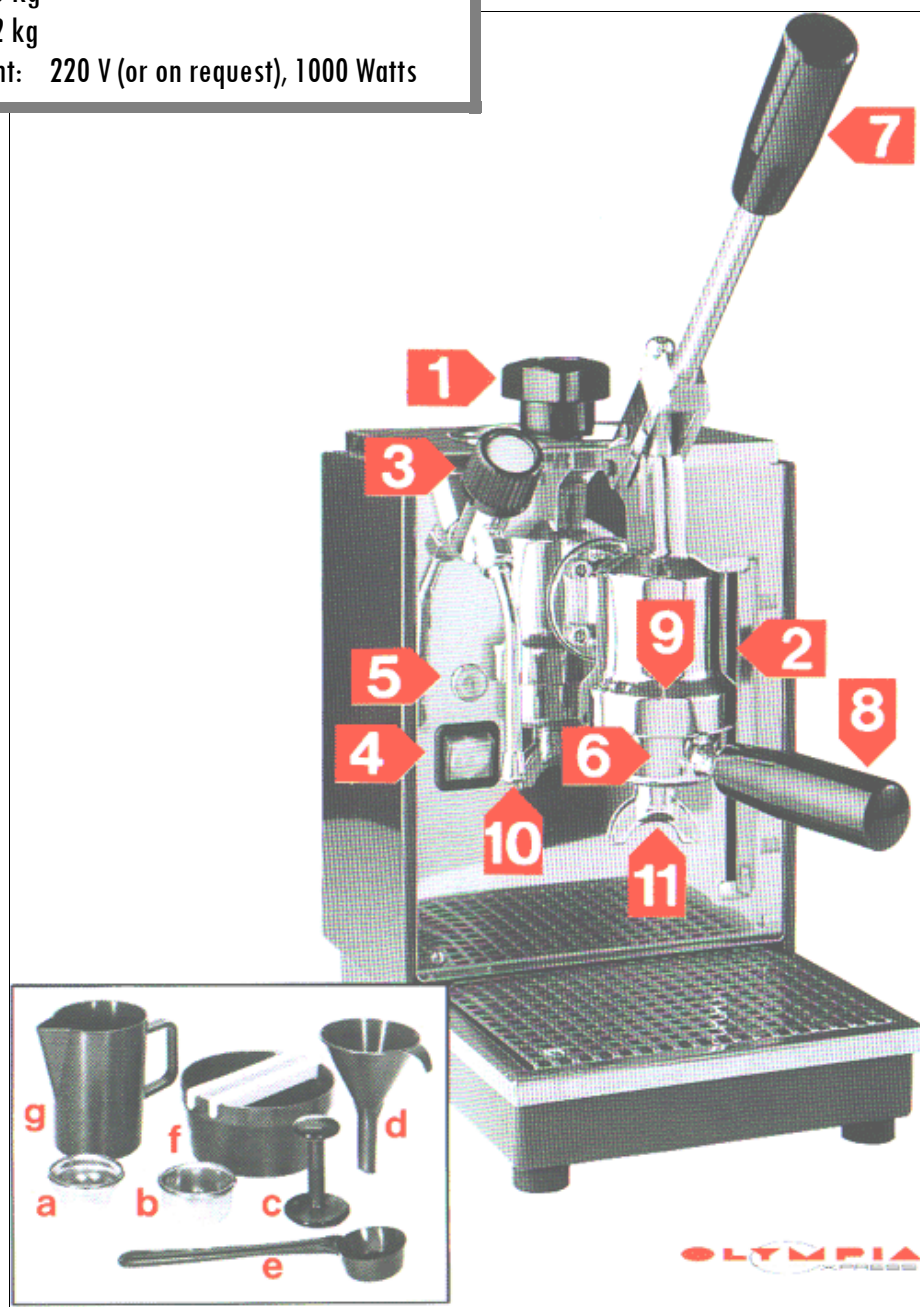
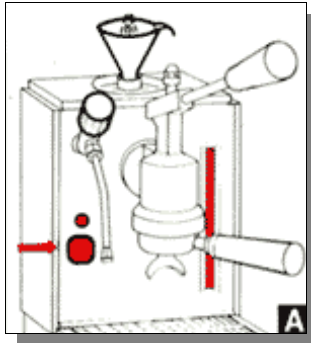


Cremina 67

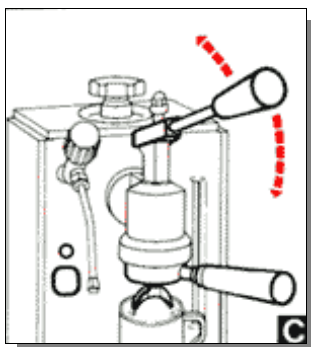
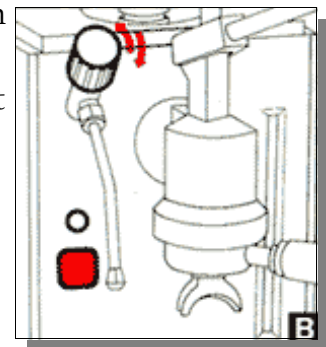
Dim.: width 20 cm / depth 27 cm / height 33 cm
Net Weight: 10 Kg
Total Weight: 12 kg
Electrical Current: 220 V (or on request), 1000 Watts





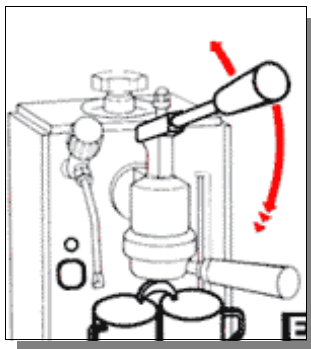
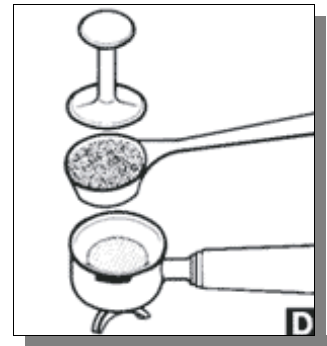
A Unscrew the cap of the boiler (1) and fill with fresh water up to the upper level of the water-level indicator (2). Screw on the cap of the boiler (1). Turn off the steam tap (3), by turning it to the right. Plug into the mains. Press the switch (4) and its light, and the indicator light of the automatic water-heater (5) will go on.

B As soon as the indicator light (5) goes off, briefly turn on the steam tap (3) to release the air from the boiler. The indicator light (5) will go on again briefly. When it goes off the machine is ready for use (the switch (4) remains on). From this moment on, the pressure in the boiler is regulated automatically.



C Preheat the filter-holder (6), by attaching it to the piston-head (9) moving the handle of the filter-holder (8) to the right and releasing a little hot water by raising the piston-lever (7).

D Remove the filter-holder (6) from the piston-head (9) by moving the handle of the filter-holder (8) to the left. Place the filters in the filter-holder (a. for one cup / b. for two cups). Fill the filter with ground coffee, using the dosage ladle e. Compress with the coffee compressor c. Reattach the filter-holder (6) to the piston-head (9).



E Place a cup (or two) under the spout (11). Raise the piston-lever (7), wait for a few seconds, then pull it down as far as it goes. The hot water is automatically forced through the ground coffee in the filter, giving a creamy and deliciously fragrant coffee in the cup. For larger portions or for two cups repeat the movement with the piston-lever (7). For the preparation on further coffees, remove again the filter-holder (6), place the coffee grounds in the grounds collector f., then repeat the movements given above.

When the water has reached the lower level of the water-level indicator (2), the machine must be switched off. Before refilling the boiler the steam pressure must be released by turning on the steam tap (3).

Never unscrew first the cap of the boiler (1). The machine can be immediately reused following the instructions A to E.

F Use of the vaporizer for heating water for tea, punch etc.: place the end of the vaporizer (10) in a cup or jug. Turn on the steam tap (3) until the drink reaches boiling point, then turn it off before removing the drink. For milk or for the preparation of "cappuccino" see our suggestions on how to obtain good coffee.

